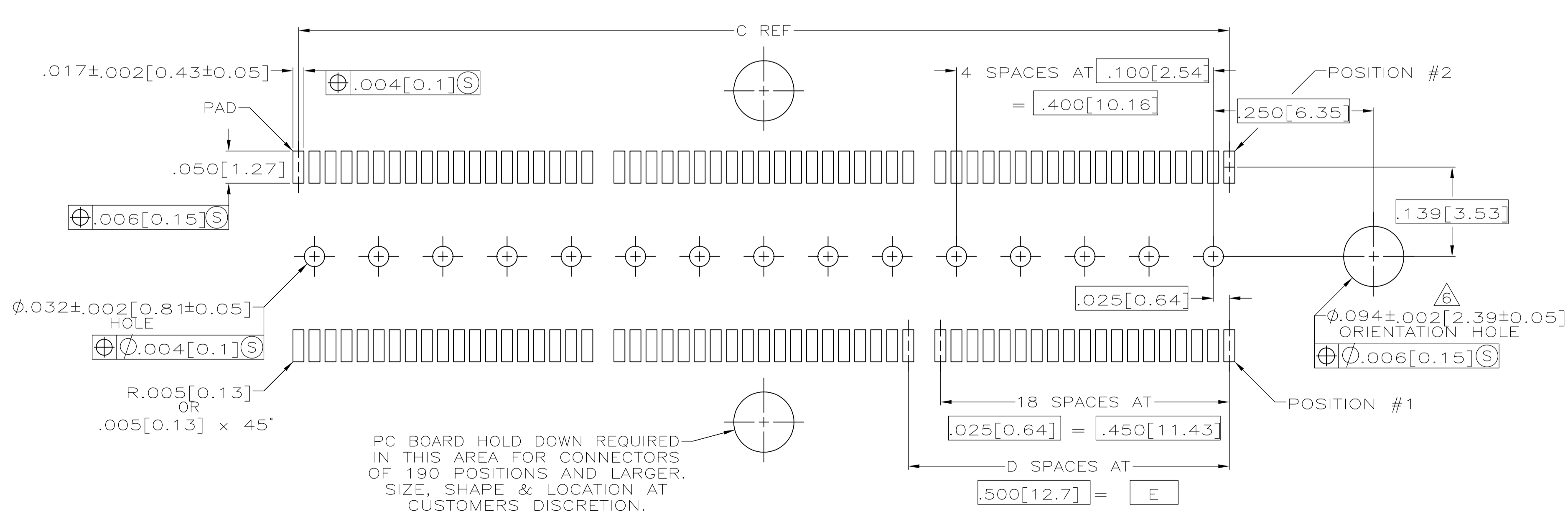
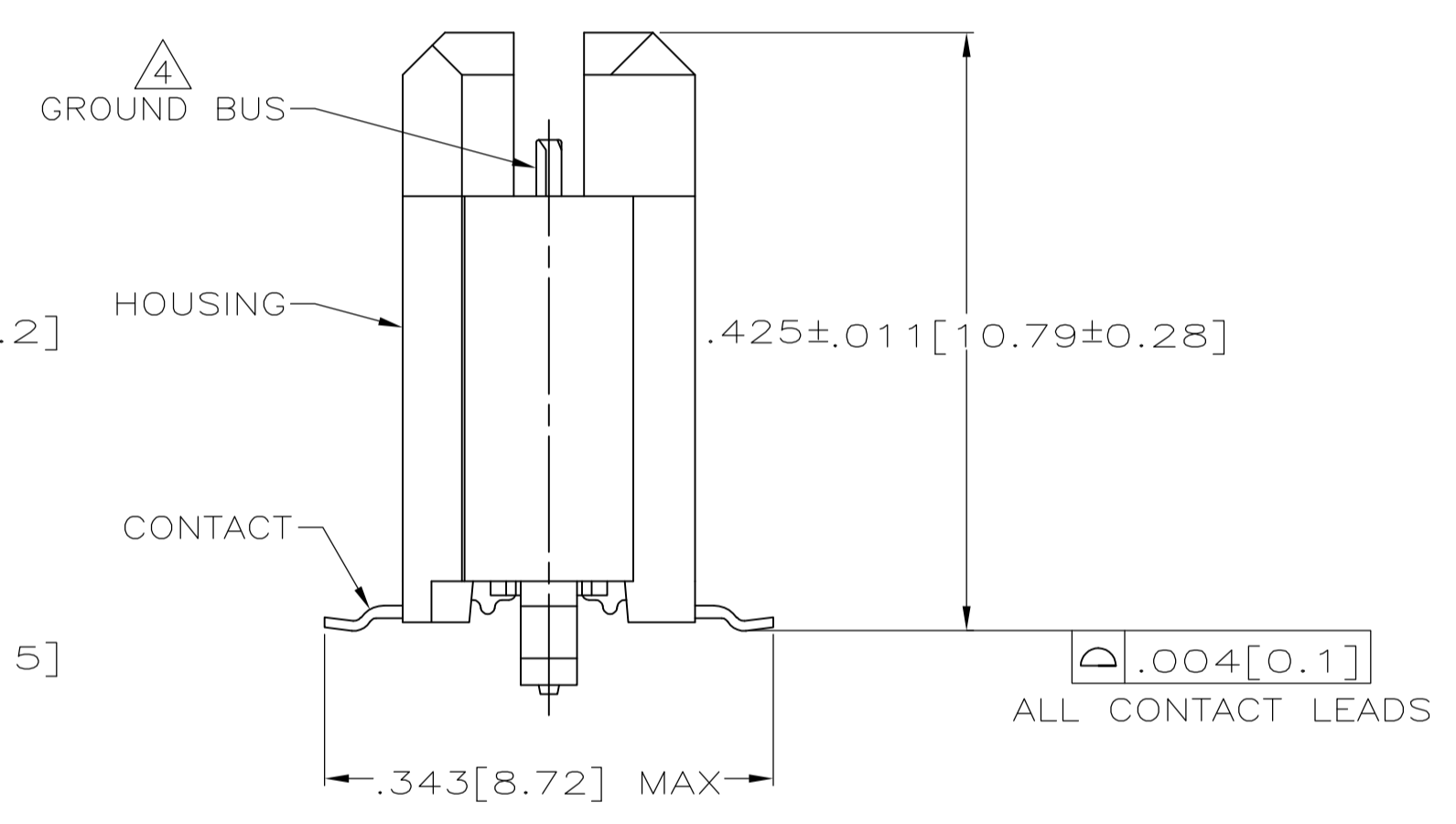
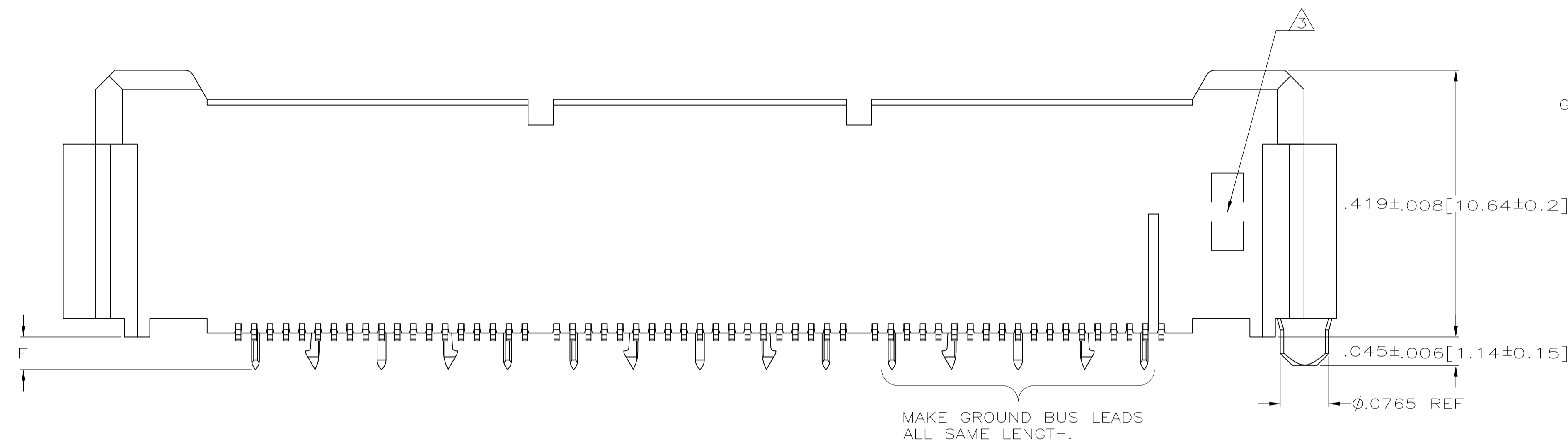


- $\triangle 1$ HOUSING: LIQUID CRYSTAL POLYMER, COLOR BLACK.
CONTACTS: HIGH RELIABILITY COPPER ALLOY.
GROUND BUSES: PHOSPHOR BRONZE ALLOY, UNS C51100.
- $\triangle 2$ CONTACTS & GROUND BUSES: NICKEL UNDERPLATE ALL OVER, MATING SURFACE PLATED TO MEET LEVEL 1 PERFORMANCE REQUIREMENTS OF TE PRODUCT SPECIFICATION 108-1422, SOLDER TAILS PLATED MATTE TIN.
- $\triangle 3$ DATE CODE MARKED IN AREA INDICATED ON SAME SIDE AS POSITION #1.
- $\triangle 4$ ONE GROUND BUS WITH 5 TAILS PER EACH MODULE.
TOLERANCE NON-ACCUMULATIVE.
- $\triangle 5$ FOR SLIP-FIT APPLICATIONS, ORIENTATION HOLE TO BE $\phi .079 \pm .001 [2.00 \pm 0.03]$.



RECOMMENDED PC BOARD LAYOUT (VIEWED FROM CONNECTOR SIDE)

STANDARD	.060 [1.52]	3.000 [76.2]	6	3.450 [87.63]	3.898 [99]	4.000 [101.6]	266	1-5767003-4
STANDARD	.060 [1.52]	2.500 [63.5]	5	2.950 [74.93]	3.398 [86.31]	3.500 [88.9]	228	1-5767003-3
STANDARD	.060 [1.52]	2.000 [50.8]	4	2.450 [62.23]	2.898 [73.61]	3.000 [76.2]	190	1-5767003-2
STANDARD	.060 [1.52]	1.000 [25.4]	2	1.450 [36.83]	1.898 [48.21]	2.000 [50.8]	114	1-5767003-1
STANDARD	.060 [1.52]	.500 [12.7]	1	.950 [24.13]	1.398 [35.51]	1.500 [38.1]	76	1-5767003-0
STANDARD	.060 [1.52]	.000 [0]	0	.450 [11.43]	.898 [22.81]	1.000 [25.4]	38	5767003-9
STANDARD	.060 [1.52]	1.500 [38.1]	3	1.950 [49.53]	2.398 [60.91]	2.500 [63.5]	152	5767003-8
BUS LEADS TYPE	F	E	D	C	B	A	NO OF POS	PART NUMBER

THIS DRAWING IS A CONTROLLED DOCUMENT.

DIMENSIONS: INCHES [mm]	TOLERANCES UNLESS OTHERWISE SPECIFIED:	DIN N. KAEHLER 28APR04	Tyco Electronics Corporation Harrisburg, Pa 17105-3608
ϕ	0 PLC ± - 1 PLC ± - 2 PLC ± - 3 PLC ± .005(0.13) 4 PLC ± - ANGLES ± -	CHK D. DIXON 28APR04	
MATERIAL	FINISH	APPRO D. DIXON 28APR04	NAME PLUG ASSEMBLY, .430 [10.92] VERTICAL, .025 [0.64] CL, GULL WING LEADS, MICTOR
$\triangle 1$	$\triangle 2$	SIZE 114-11004	RESTRICTED TO
		WEIGHT	SCALE 8:1 SHEET 1 OF 1 REV B

CUSTOMER DRAWING